

PRODUCT
SRK

DESCRIPTION
EQUIPMENT RACKS

SERIES
SRK

CATEGORY
ACCESSORIES



GENERAL DESCRIPTION

Heavy duty equipment racks in several sizes. Coolest feature: Works for both U.S. and E.U. rack screws.

FEATURES

- > 19-inch equipment racks
- > 8, 12, 16 and 21 rack space versions
- > Heavy-duty steel construction with fully enclosed sides
- > 3-inch (75mm) locking casters
- > Single space blank panel included
- > U.S. and European rack screws included

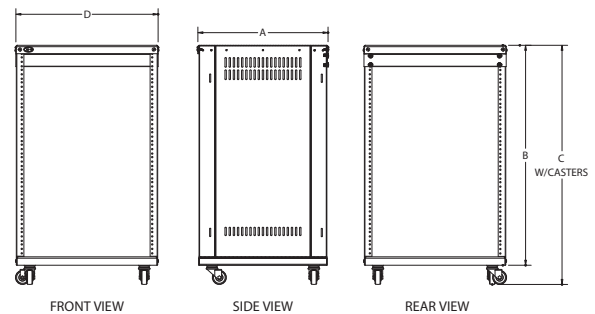
ARCHITECT'S & ENGINEER'S SPECIFICATIONS

The Samson SRK racks shall be 19 inch standard equipment racks. They shall be available in 8 space, 12 space, 16 space, and 21 space configurations. They shall be of sturdy steel construction. They shall have heavy-duty 3 inch casters. The front casters shall be of the locking type. They shall come with a blank 1 space rack panel. They shall accommodate both European standard and US standard rack screws. European and US standard rack screws shall be included.

SPECIFICATIONS

- SRK8**
Type 8 space,
19" equipment rack
- SRK12**
Type 12 space,
19" equipment rack
- SRK16**
Type 16 space,
19" equipment rack
- SRK21**
Type 21 space,
19" equipment rack

Dimensions:



MODEL	DEPTH	RACKING HEIGHT	W/CASTERS HEIGHT	WIDTH
	"A"	"B"	"C"	"D"
SRK 8	18.11"	16.54"	20.47"	19.96"
SRK 12	18.11"	23.62"	27.55"	19.96"
SRK 16	18.11"	30.70"	34.65"	19.96"
SRK 21	18.11"	39.37"	43.31"	19.96"

(All) Heavy duty steel construction, fully enclosed sides, 3-inch (75mm) locking castors, US and European threads and rack screws, single space blank panel included

Maximale Gewichtskapazität: 136 kg mit Rollen (204 kg ohne Rollen)